

hydrideICP™

Compact Hydride Generation System for ICP and ICPMS with Enhanced Stability and Performance

32	33	34
Ge	As	Se
50	51	52
Sn	Sb	Te
80	82	83
Hg	Pb	Bi

The hydrideICP is a standalone hydride generation system with precision micro peristaltic pump, which provides sub-ppb detection limits for hydride-forming elements such as As, Se, Sb and Hg.

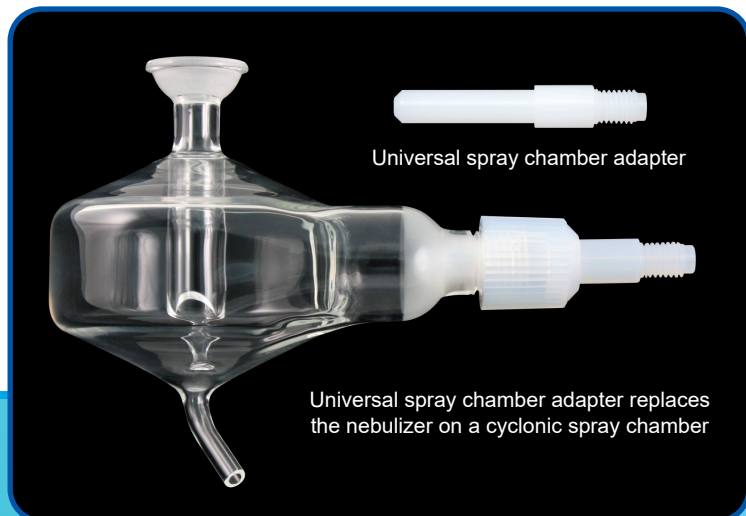
Benefits

- Increased sensitivity, up to 100x for hydride-forming elements
- Improved detection limits for As, Hg, Se, Sb and other hydride-forming elements
- Improved stability
 - MP² micro peripump precisely mixes sample and reagents, producing a stable formation of H₂ gas and hydrides
- Compact
 - hydrideICP is the smallest system of its kind on the market (95mm x 118 mm x 140 mm)

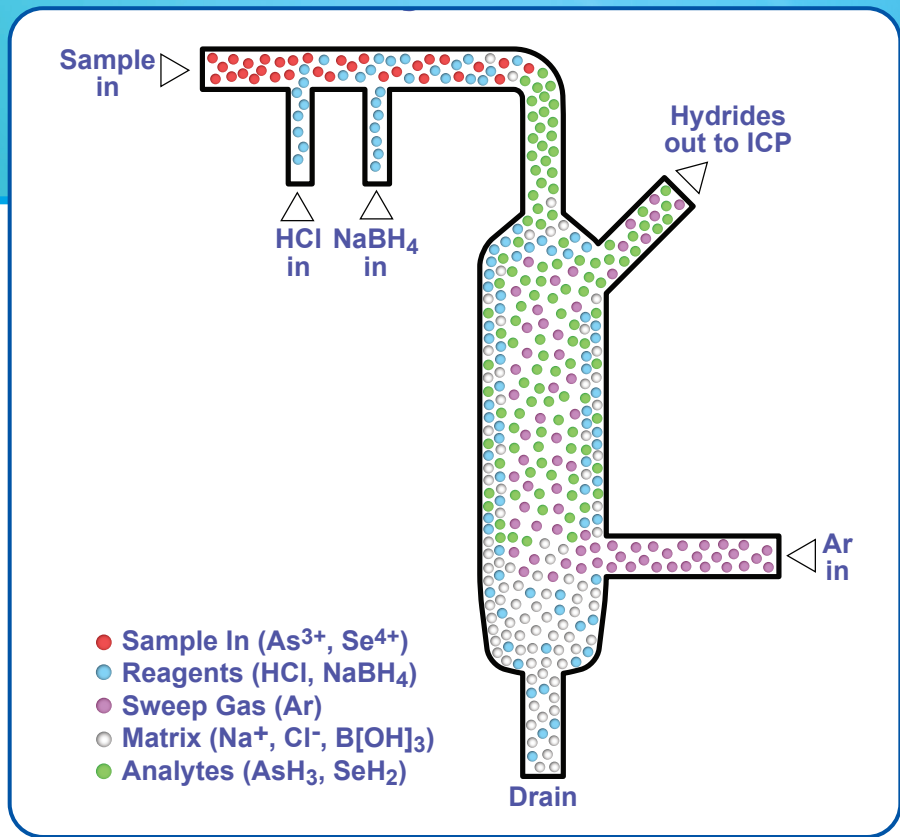
- Chemically resistant construction
 - MP² micro peripump with ceramic pins, a PFA mixing block and quartz Glass-Liquid Separator
- Convenient
 - hydrideICP includes a PFA mixing block, which is completely integrated into the MP² pump



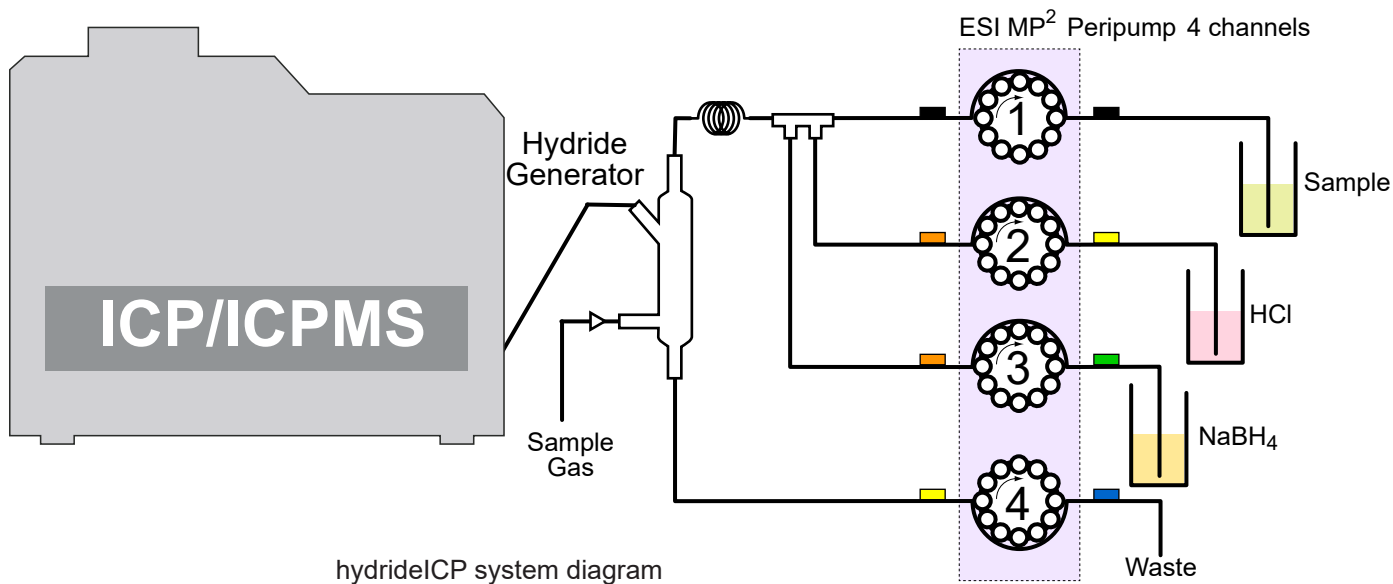
hydrideICP generation system



Universal spray chamber adapter with baffled cyclonic spray chamber



ESI has developed the smallest, highest-performing and most stable gas liquid separator on the market. The design promotes rapid mixing of sample and reagents, resulting in an efficient reaction and separation of hydride gases from sample liquids in a small volume.



hydrideICP system diagram

Description	Part Number
HydrideICP Generation System. HydrideICP Generator Kit (Hydride quartz gas-liquid separator, four way tee, MP ² precision micro peristaltic pump, universal spray chamber adapter and mounting plate).	HG-MP2-6-A