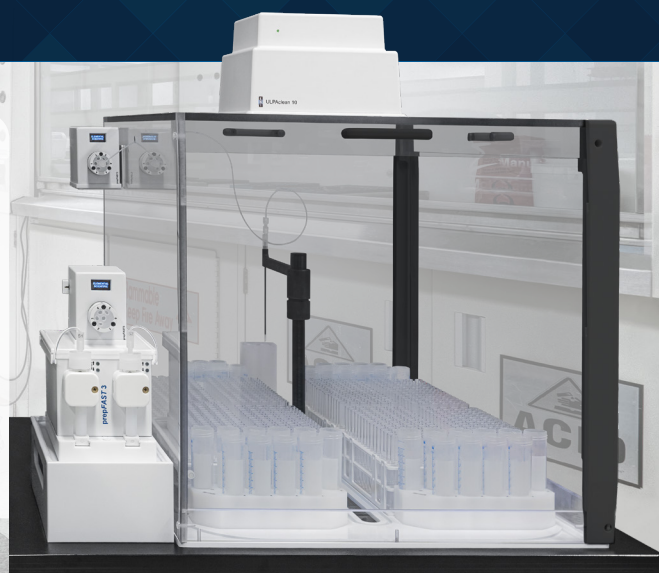


## prepFAST 3

This third generation prepFAST is the easiest to install and smallest autodilution system on the market. Fully integrated to software.



prepFAST 3 with 8DXCi Autosampler and optional ULPAClean 10

## Core Components

- 2-syringe dilution module
- Multi-position integrated nebulizer valve with MP<sup>2</sup> integrated to nebulizer
- Probe valve mounted to Clean3V Enclosure
- Clean3V Enclosure (ULPAClean 10 optional)
- DXCi Autocorrecting Autosampler (2, 4, 8 or 14 rack options)
- Anti-clogging FilterProbe with Backflush

## FAST prepFAST

- Rapidly analyzes undiluted samples (*FAST*) for ultra-high throughput
- Automatic inline preparation of samples with dilution factor >1
  - Autocalibration, prescribed dilution, over-range dilution, internal std out-of-range dilution
- Applies ESI's prepFAST IC technology for high-throughput and dilution functions

## Magnetic SnapValve with SampleSense 3

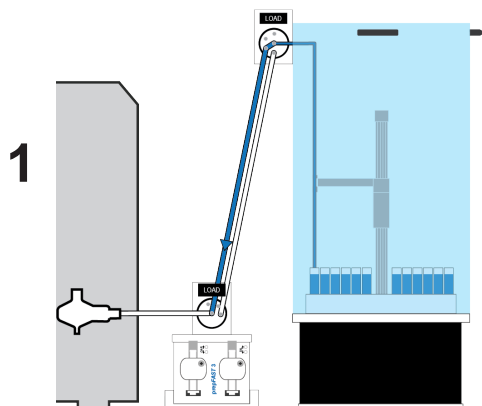
- Easy-to-clean SampleSense valves without sensor adjustment
- Easy installation and maintenance
  - No wrenches required
- Multiposition valves simplify flowpaths and reduce tubing and fittings

## Anti-clogging FilterProbe with Backflush

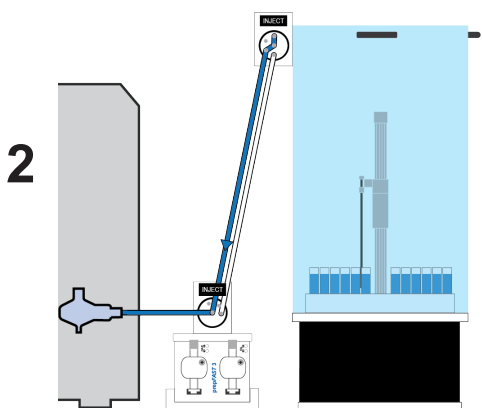
- Automatically backflushes to clean the filter for each sample
- Prevents valve and nebulizer clogging to reduce weekly valve-cleaning maintenance

# prepFAST 3 Analytical Steps

## FAST Ultra-high Throughput (Undiluted Samples)

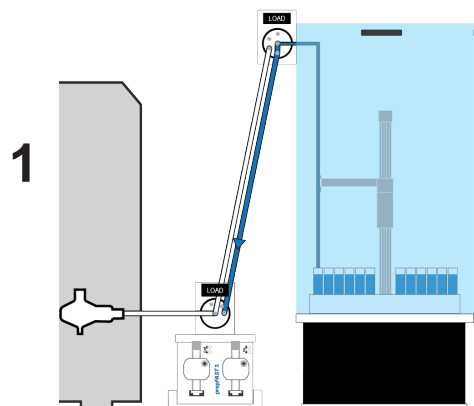


Sample is loaded into the FAST Sample Line.

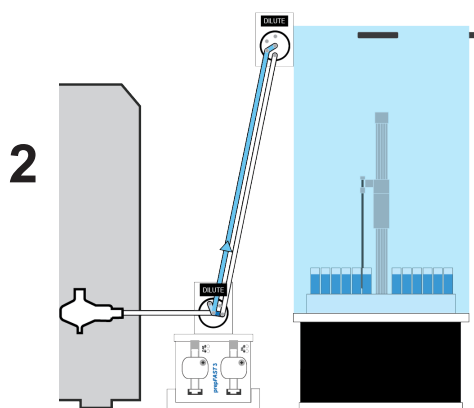


Sample is injected and analyzed.

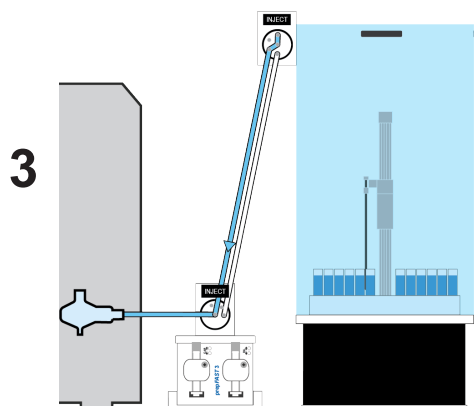
## Autodilution/Autocalibration (Samples and Standards with Dilution Factor > 1)



Sample is loaded into the Dilution Line.



Sample is syringe diluted into Sample Line.



Sample is injected and analyzed.



◀ **Watch the Product Video**

<https://icpms.com/videos/prepFAST-3-Generic.mp4>



© Elemental Scientific | 7277 World Communications Drive | Omaha, NE 68122  
Tel: 1-402-991-7800 | sales@icpms.com | www.icpms.com

F-24076-33